



Riera Nadeu 

BATCH\_Centrifuges®

FOUNDED IN  
**1952**





Innovation from  
Barcelona

More than  
2000 projects Worldwide

Quality equipment  
Since 1952

Taylor made  
projects

Low maintenance  
machines

Energy efficient  
solutions





### Innovations

- \_ Inertia base as structural part of the machine.

### Benefits

- \_ Reliable & simple.
- \_ Multipurpose.
- \_ Ideal for filtering but non scrapping products.
- \_ Easy product change.
- \_ Versatile.

### Clients

**GRIFOLS**

**MERCK**

**ESTEVE**

**MOEHS**  
FINE CHEMICALS

 **INFAR S.A.**

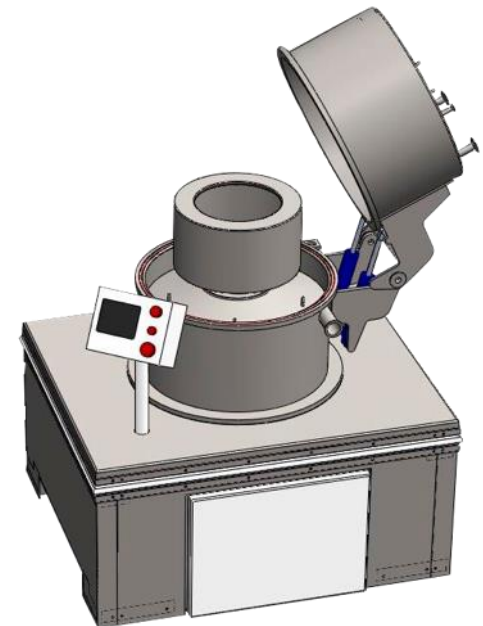
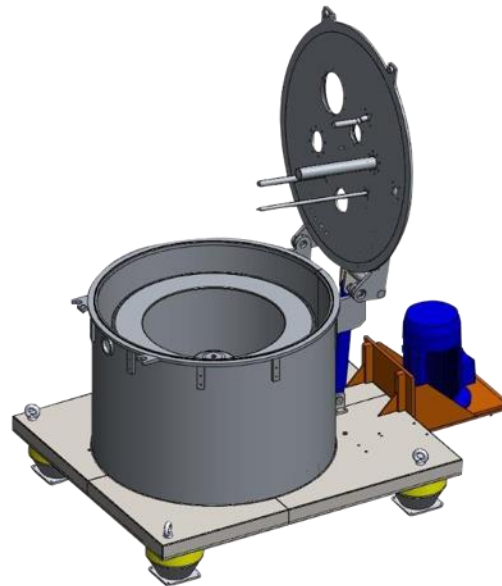
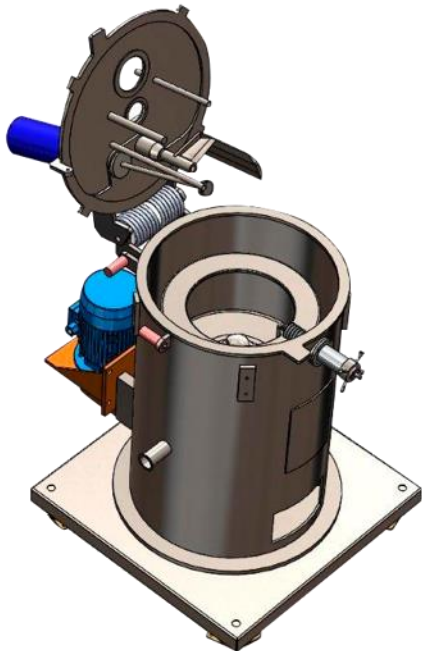


200

Vertical batch centrifuges manual discharge



- \_ Full opening lid or casing.
- \_ Manual or hydraulically assisted.
- \_ Easy maintenance.
- \_ Filtering or decanting type.







MODELS	Basket Ø mm	Basket Heigh Ø mm	Cake Thickness mm	Capacity dm <sup>3</sup>	Density Kg/m <sup>3</sup>	Nominal Load Kg	Filtering Surface dm <sup>2</sup>	Speed rpm	G Factor Up to	Sigma at Wall Basket	Weight Kg	Dimensions mm
200F/D250	250	150	35	3,5	1250	4,4	11,78	3600	1800	212	50	400x500x500
200F/D400	400	200	60	12	1250	15	25,13	2500	1390	349	150	600x800x750
200F/D500	500	250	75	25	1250	31,3	39,27	2475	1700	668	300	700x1000x850
200F/D600	600	350	90	50	1250	62,5	65,97	2450	2000	1320	400	800x1200x750
200F/D650	650	400	120	68	1250	85	81,68	2400	2080	1380	450	800x1200x800
200F/D700	700	350	105	68	1250	85	76,97	2270	2000	1540	500	900x1300x1000
200F/D800	800	400	120	100	1250	125	100,53	1575	1103	1108	3450	1500x2050x1200
200F1000	1000	500	150	200	1250	250	157,08	1100	672	NA	5200	1800x2450x2000
200F1200	1200	625	185	390	1250	487,5	245,44	1050	766	NA	6200	2000x2526x2420
200F1400	1400	700	210	550	1250	687,5	307,88	800	498	NA	6800	2100x3050x2475



### **Innovations**

- \_ Modular concept.
- \_ Customizable.
- \_ Machine adapted to the process.
- \_ Oil free double effect scrapper (patent pending).
- \_ Base frame as structural part of the machine.
- \_ All parts in contact with the product are massive. No lined parts.

### **Benefits**

- \_ Full automatic batch.
- \_ Regenerative converter in all models as standard.
- \_ Widest range of machines sizing.
- \_ From 500 up to 1800 mm basket diameter.
- \_ Different heights with same basket diameter.
- \_ High g factor.

### **Clients**



**MERCK**

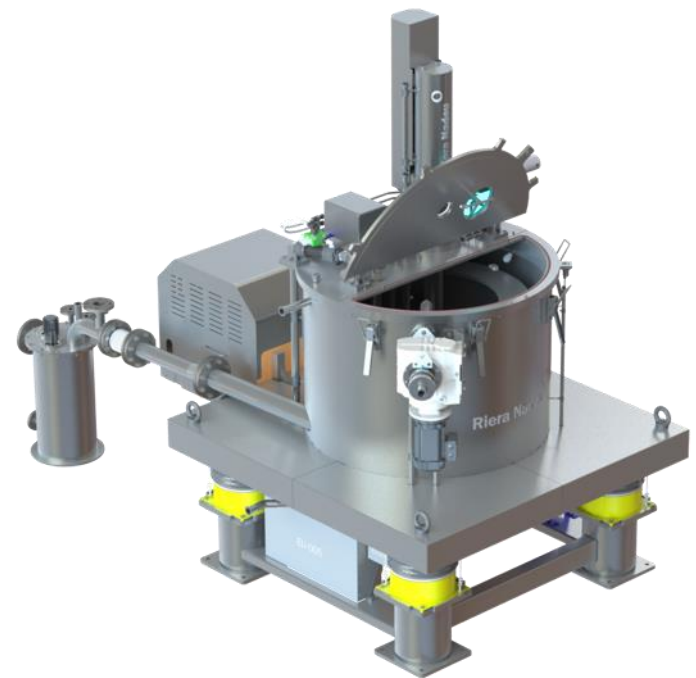


**300**

Full automatic vertical batch centrifuges



- \_ Full or half opening lid.
- \_ Full opening casing.
- \_ Hydraulically assisted.



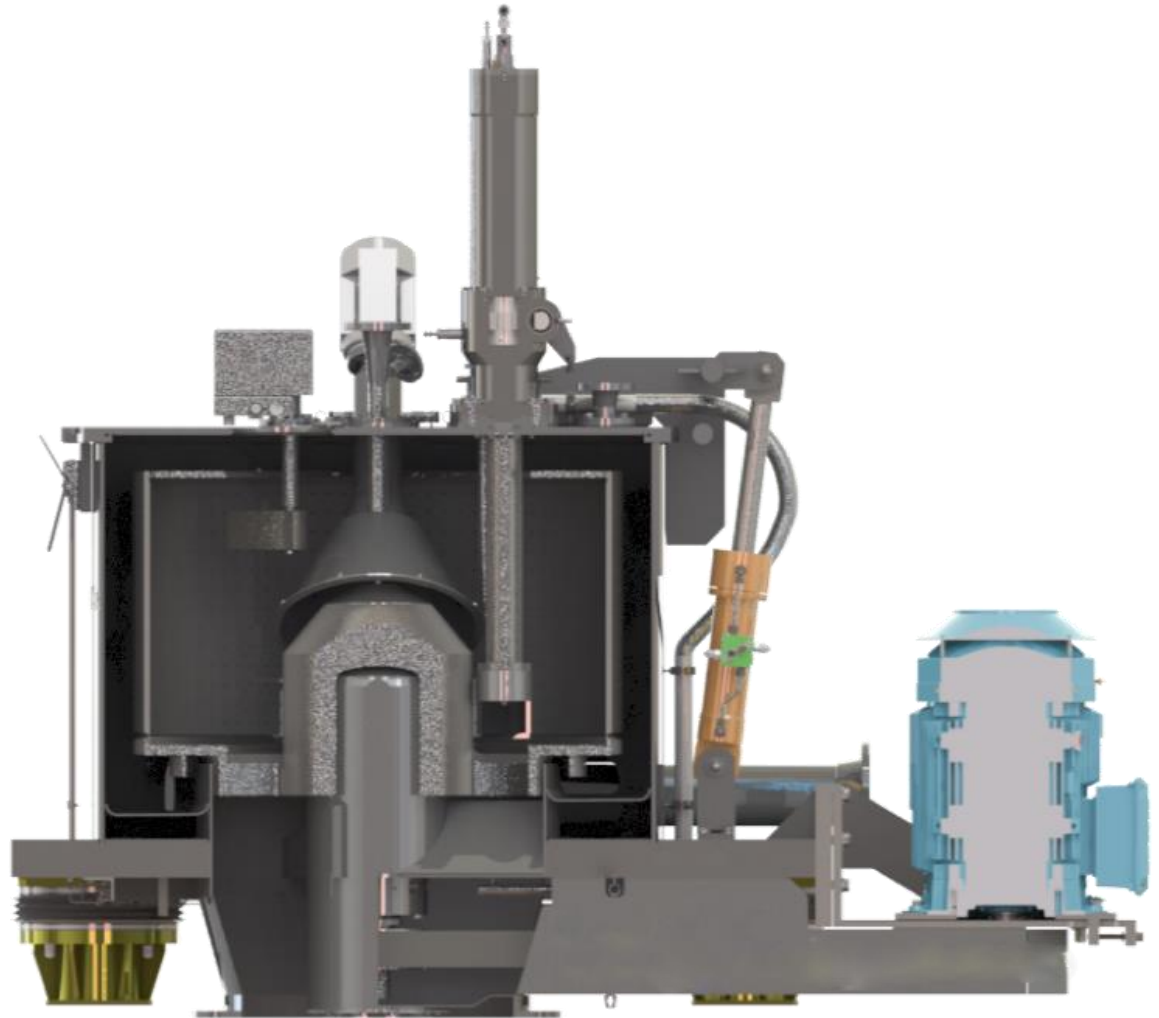


300

Full automatic batch centrifuges



- \_ Bottom or top discharge.
- \_ Dynamic or static feeding system.
- \_ CIP.
- \_ Oil free double effect scrapper.
- \_ Oil free simple effect scrapper.
- \_ Automatic feed detector.







Basket Ø mm	Basket Heigh Ø mm	Nominal Volume Lts.	Filtering Surface m <sup>2</sup>	Basket Rpm	G FACTOR Up to	Basket Inch	Basket Heigh Inch	Volume Cu. Ft.	Filtering Surface Sq. Ft.
650	325	50	0,66	3000	3250	25	13	1,77	7,14
800	400	100	1,01	2600	3000	32	16	3,53	10,82
1000	500	200	1,57	1800	1800	40	20	7,06	16,91
1250	500	300	1,96	1315	1200	49	20	1059	21,11
1250	625	390	2,45	1315	1200	49	25	13,77	26,42
1250	700	430	2,75	1315	1200	49	28	15,19	29,59
1250	800	500	3,14	1315	1200	49	32	17,66	33,82
1250	1000	625	3,93	1315	1200	49	40	22,07	42,27
1400	700	550	3,08	1315	1000	55	28	19,42	33,14
1400	800	625	3,52	1315	1000	55	32	22,07	37,87
1500	750	675	3,53	1100	1000	59	30	23,84	38,04
1600	800	700	4,02	1100	1000	63	32	24,72	43,28
1600	1000	1000	5,03	1060	1000	63	40	35,31	54,10
1800	900	1095	5,09	1000	1000	70	35	38,67	54,78
1800	1000	1200	5,65	1000	1000	70	40	42,38	60,87

# 700 Pharma

Since 1975



## Innovations

- \_ Flattest machine in the market.
- \_ Plug & play concept.
- \_ First centrifuge with RIO in the market.
- \_ Bearings sealing system status detection.
- \_ Possibility to change sealing system without dismantling the bearing box.

## Benefits

- \_ Regenerative converter in all models as standard.
- \_ From 350 up to 2000 mm basket diameter.
- \_ Either top or bottom discharge.
- \_ Easy installation.
- \_ All peripherals located in the machine full operative.
- \_ Machine only need services to run.

## Clients

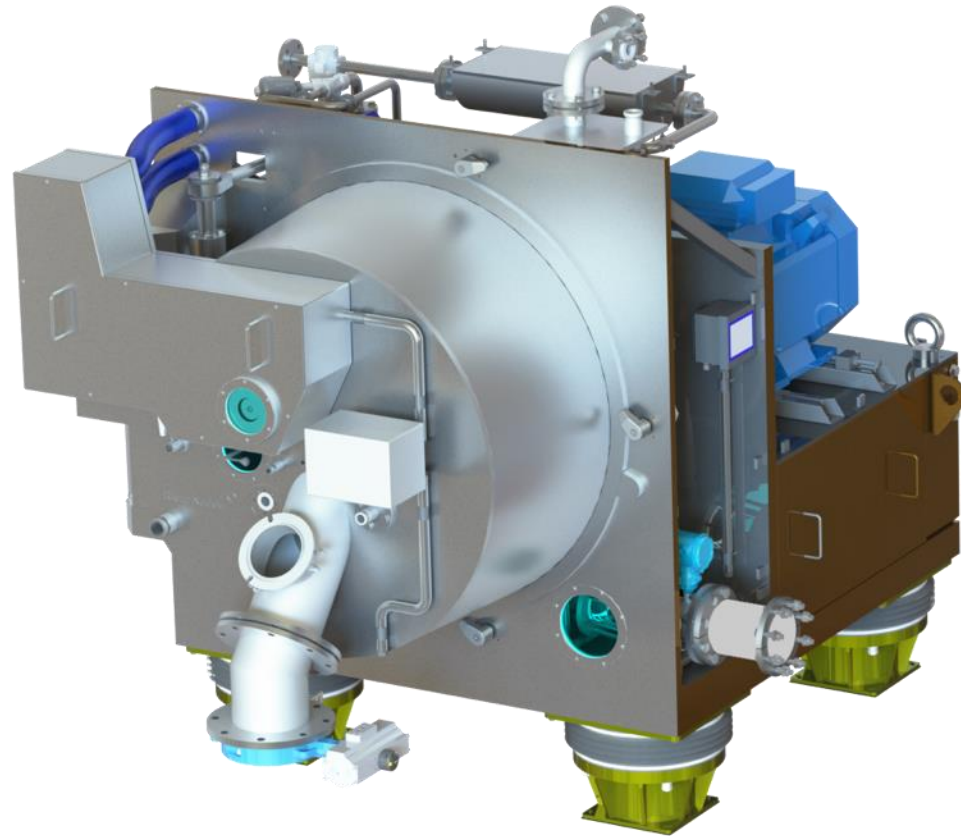


## 700 Pharma

### Horizontal peelers



- \_ Through the wall design.
- \_ Full opening casing (left or right hand).
- \_ Flattest design in the market.
- \_ All in one concept.

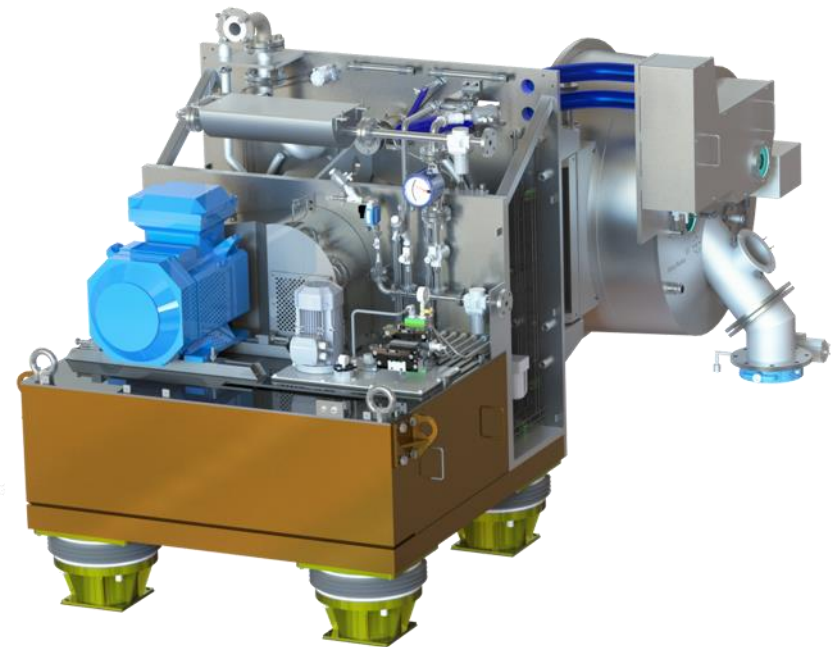
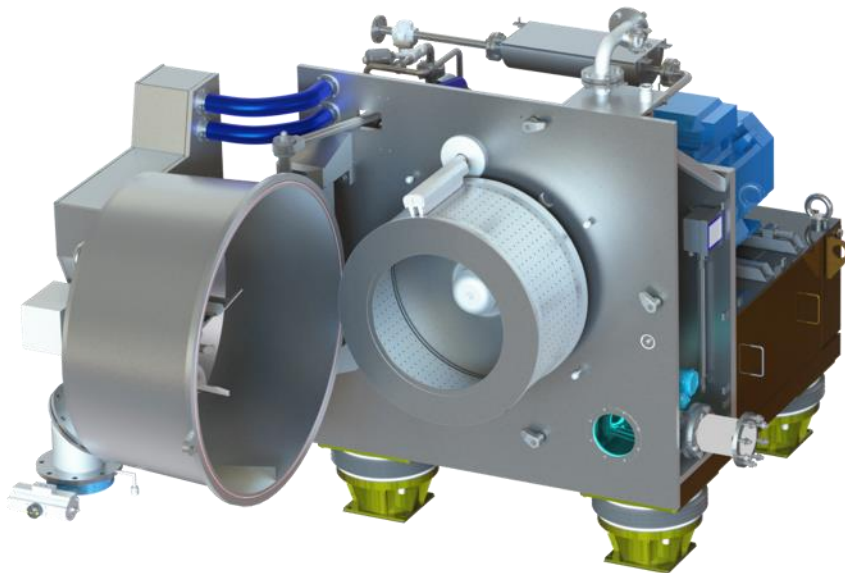


## 700 Pharma

### Horizontal peelers



- \_ Easy maintenance.
- \_ Possibility to change sealing system w/o dismantling the bearing box.
- \_ All elements are removable.
- \_ All services are located at the back side.
- \_ Sight glass in the frame to observe mother liquor.







Basket Ø mm	Basket Heigh Ø mm	Nominal Volume Lts.	Filtering Surface m <sup>2</sup>	Basket Rpm	G FACTOR Up to	Basket Inch	Basket Heigh Inch	Volume Cu. Ft.	Filtering Surface Sq. Ft.
350	220	10	0,24	3950	3000	14	9	0,35	2,60
500	250	25	0,69	3500	2720	20	10	0,88	4,23
650	325	50	0,66	3000	3250	25	13	1,77	7,14
800	400	100	1,01	2600	1800	32	16	3,53	10,82
1000	500	200	1,57	1800	1200	39	20	7,06	16,91
1250	625	390	2,45	1200	1000	49	25	13,77	26,42
1400	700	550	3,08	1315	1000	55	28	19,42	33,14
1400	800	625	3,52	1135	1000	55	32	22,07	17,87
1500	750	675	3,53	1100	1000	59	30	23,84	38,04
1600	800	700	4,02	1100	1000	63	32	24,72	43,28



# 700 Chemical

Since 1975



## Innovations

- \_ Flattest machine in the market.
- \_ Plug & play concept.
- \_ First centrifuge with RIO in the market.
- \_ Bearings sealing system status detection.
- \_ Possibility to change sealing system without dismantling the bearing box.

## Benefits

- \_ Regenerative converter in all models as standard.
- \_ From 350 up to 2000 mm basket diameter.
- \_ Either top or bottom discharge.
- \_ Easy installation.
- \_ All peripherals located in the machine full operative.
- \_ Machine only need services to run.

## Clients



## 700F Chemical

Horizontal peelers



- \_ Through the wall design.
- \_ Full opening casing (left or right hand).
- \_ Flattest design in the market.
- \_ All in one concept.

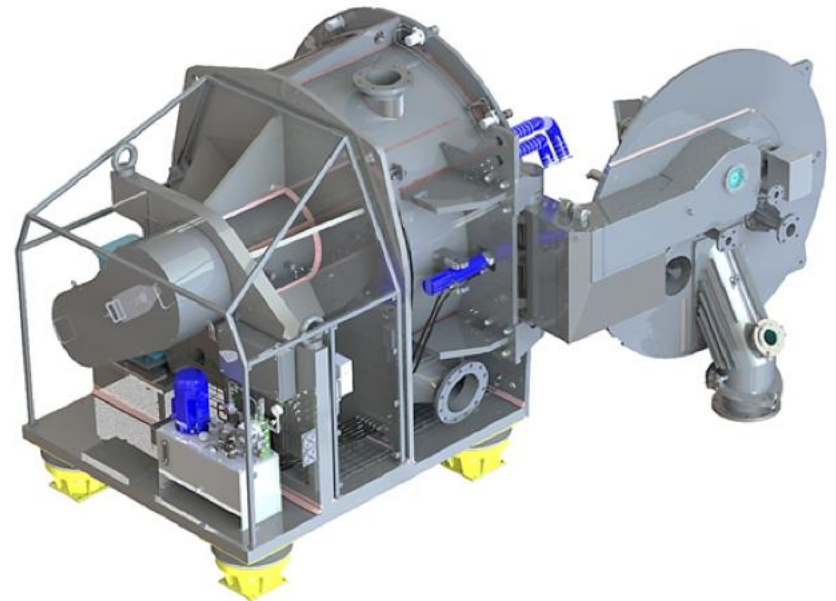


## 700F Chemical

Horizontal peelers



- \_ Easy maintenance.
- \_ Possibility to change sealing system w/o dismantling the bearing box.
- \_ All elements are removable.
- \_ All services are located at the back side.
- \_ Sight glass in the frame to observe mother liquor.



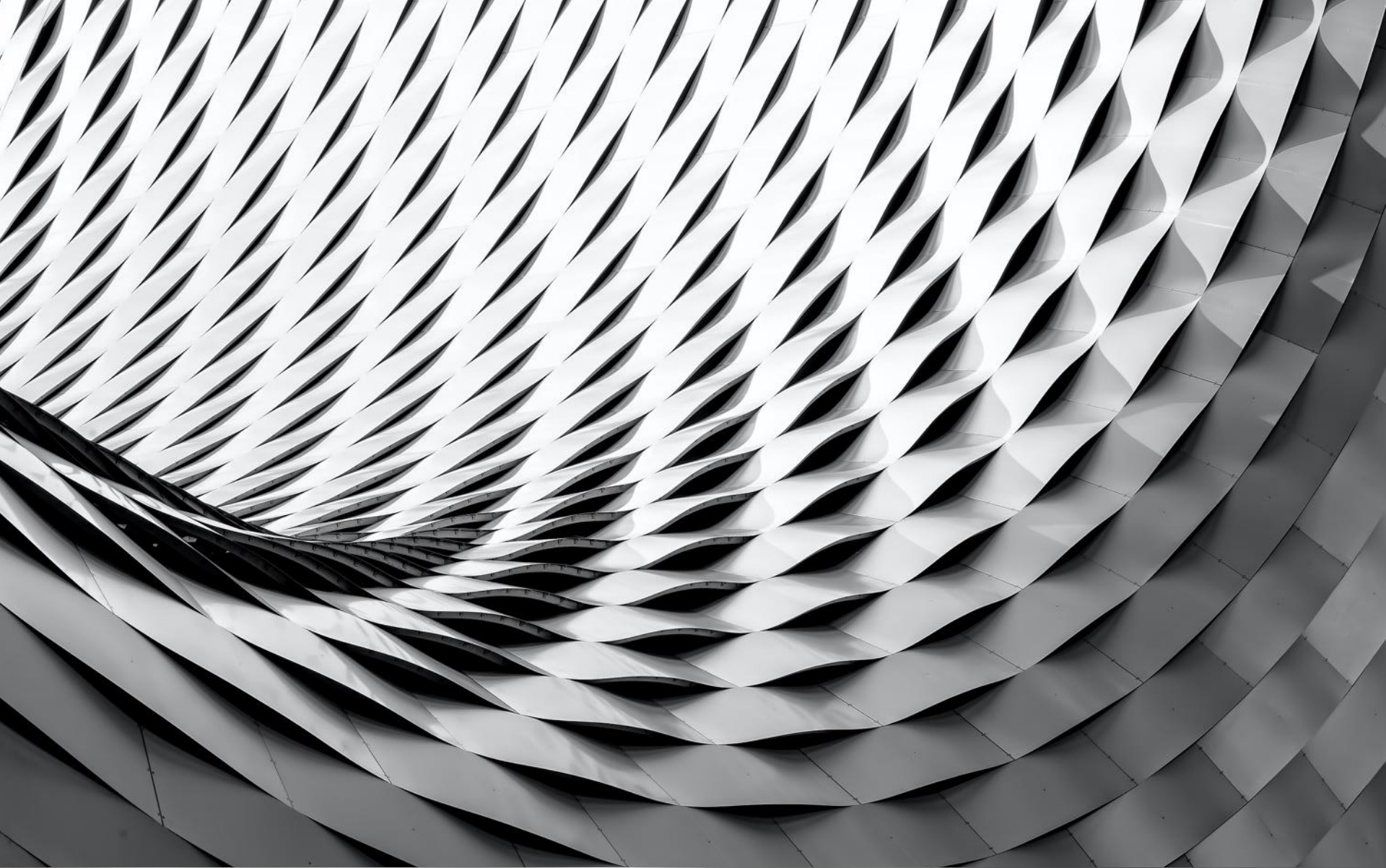


700

Product range



Basket Ø mm	Basket Heigh Ø mm	Nominal Volume Lts.	Filtering Surface m <sup>2</sup>	Basket Rpm	G FACTOR Up to	Basket Inch	Basket Heigh Inch	Volume Cu. Ft.	Filtering Surface Sq. Ft.
350	220	10	0,24	3950	3000	14	9	0,35	2,60
500	250	25	0,69	3500	2720	20	10	0,88	4,23
650	325	50	0,66	3000	3250	25	13	1,77	7,14
800	400	100	1,01	2600	1800	32	16	3,53	10,82
1000	500	200	1,57	1800	1200	39	20	7,06	16,91
1250	625	390	2,45	1200	1000	49	25	13,77	26,42
1400	700	550	3,08	1315	1000	55	28	19,42	33,14
1400	800	625	3,52	1135	1000	55	32	22,07	17,87
1500	750	675	3,53	1100	1000	59	30	23,84	38,04
1600	800	700	4,02	1100	1000	63	32	24,72	43,28
2800	900	1095	5,09	1000	1000	71	35	38,67	54,78
2000	1000	1400	6,91	950	1000	79	40	49,44	74,39



Riera Nadeu 

C. Cal Ros dels Ocells, 1-3. Pol Ind. Coll de la Manya, 08403. Barcelona.  
T\_938 40 70 72 F\_938 40 70 85 W\_rieranadeu.com

